

# GENERAC CORPORATION

## INSTRUCTIONS & PARTS EXHAUST KIT for NP and Q SERIES RV GENERATORS

Model 0970-0

GENERAC CORPORATION

757 N. NEWCOMB RD.

WHITEWATER, WI 53190

TELEPHONE: (414) 473-5514

FAX: (414) 473-3626

### EXHAUST KIT COMPATIBILITY

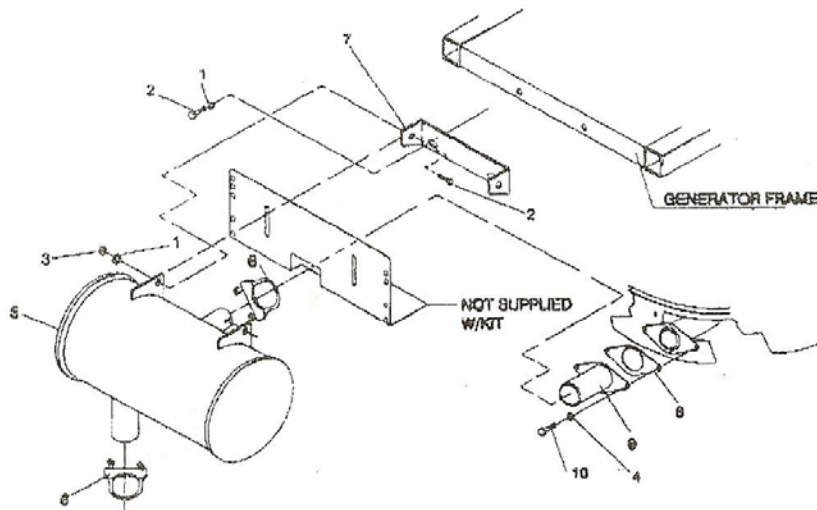
This exhaust kit is designed for use with NP and Q series, air-cooled, belt drive recreational vehicle generators. Use Model 970 Exhaust Kit if the generator is to be installed suspended below the vehicle floor where space is limited. Use Model 9742 Exhaust Kit if the generator is to be installed in a conventional compartment with an "Out-the-Bottom" exhaust system.

### SYMPTOMS OF CARBON MONOXIDE POISONING:

Inability to think coherently  
Vomiting  
Twitching muscles  
Throbbing in temples  
Dizziness  
Headache  
Weakness and sleepiness

**▲ DANGER: ▲**  
THE GENERATOR ENGINE GIVES OFF DEADLY CARBON MONOXIDE GAS THROUGH ITS EXHAUST SYSTEM. THIS DANGEROUS GAS, IF BREATHED IN SUFFICIENT CONCENTRATIONS, CAN CAUSE UNCONSCIOUSNESS OR EVEN DEATH

IF YOU EXPERIENCE ANY OF THE ABOVE SYMPTOMS, MOVE INTO FRESH AIR IMMEDIATELY. IF SYMPTOMS PERSIST, GET MEDICAL ATTENTION. DO NOT OPERATE THE GENERATOR SET WITH A DEFECTIVE OR LEAKING EXHAUST SYSTEM.



ITEM	PART NO.	QTY.	DESCRIPTION	ITEM	PART NO.	QTY.	DESCRIPTION
1	22129	4	LOCKWASHER-5/16"-M8	6	94670	2	CLAMP-EXHAUST
2	42307	4	CAPSCREW, M8-1.25 x 18 LG.	7	75608	1	BRACKET, MUFFLER
3	45771	2	HEX NUT-M8-1.25	8	77643	2	GASKET
4	22097	2	LOCK WASHER-1/4	9	90863	1	ADAPTOR
5	A6876	1	MUFFLER-EXHAUST	10	42568	2	CAPSCREW M6-1.0 x 16MM LG.